

**Dear Customer!**

**If hardware is missing or parts  
get damaged in shipping,  
DO NOT RETURN ENTIRE ITEM.**

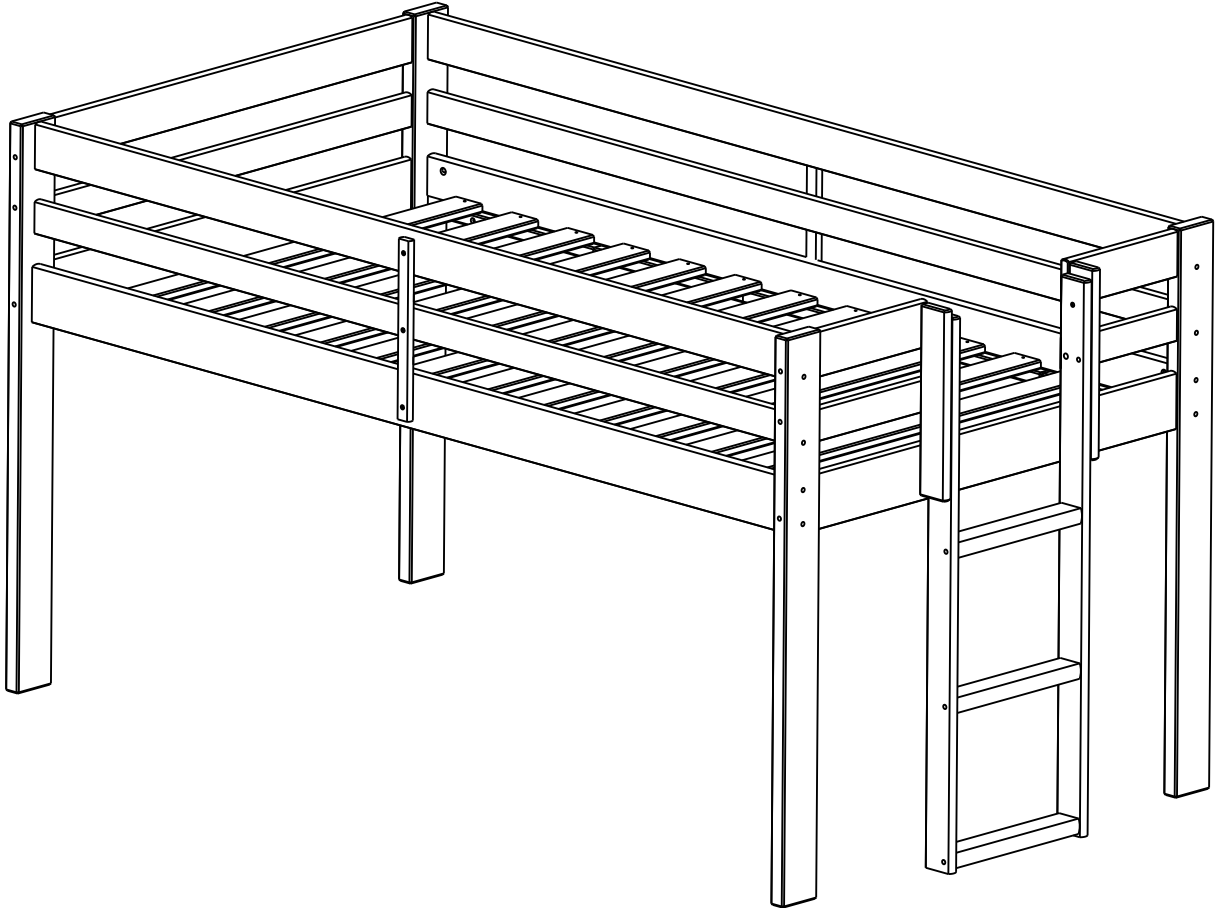
**We can replace hardware and any parts  
Free of Charge.**

**For best Customer Service experience,  
visit our web site at [www.boltonfurniture.com](http://www.boltonfurniture.com)  
click on Replacement Parts Tab  
at top of page to order replacement  
hardware or parts.**

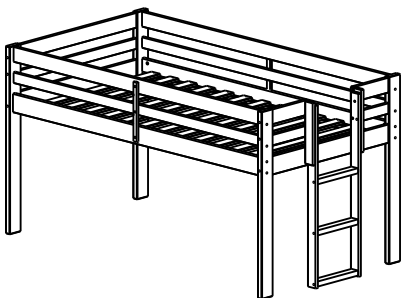
**We will ship replacements directly to you.**

# ASSEMBLY INSTRUCTIONS

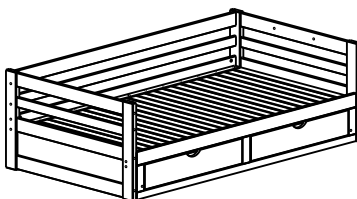
## JASPER JR LOFT BED



**JR LOFT BED**



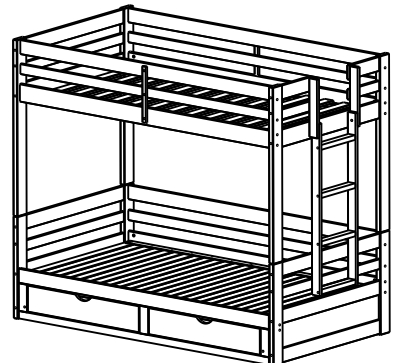
**DAYBED WITH  
KING CONVERSION**



+

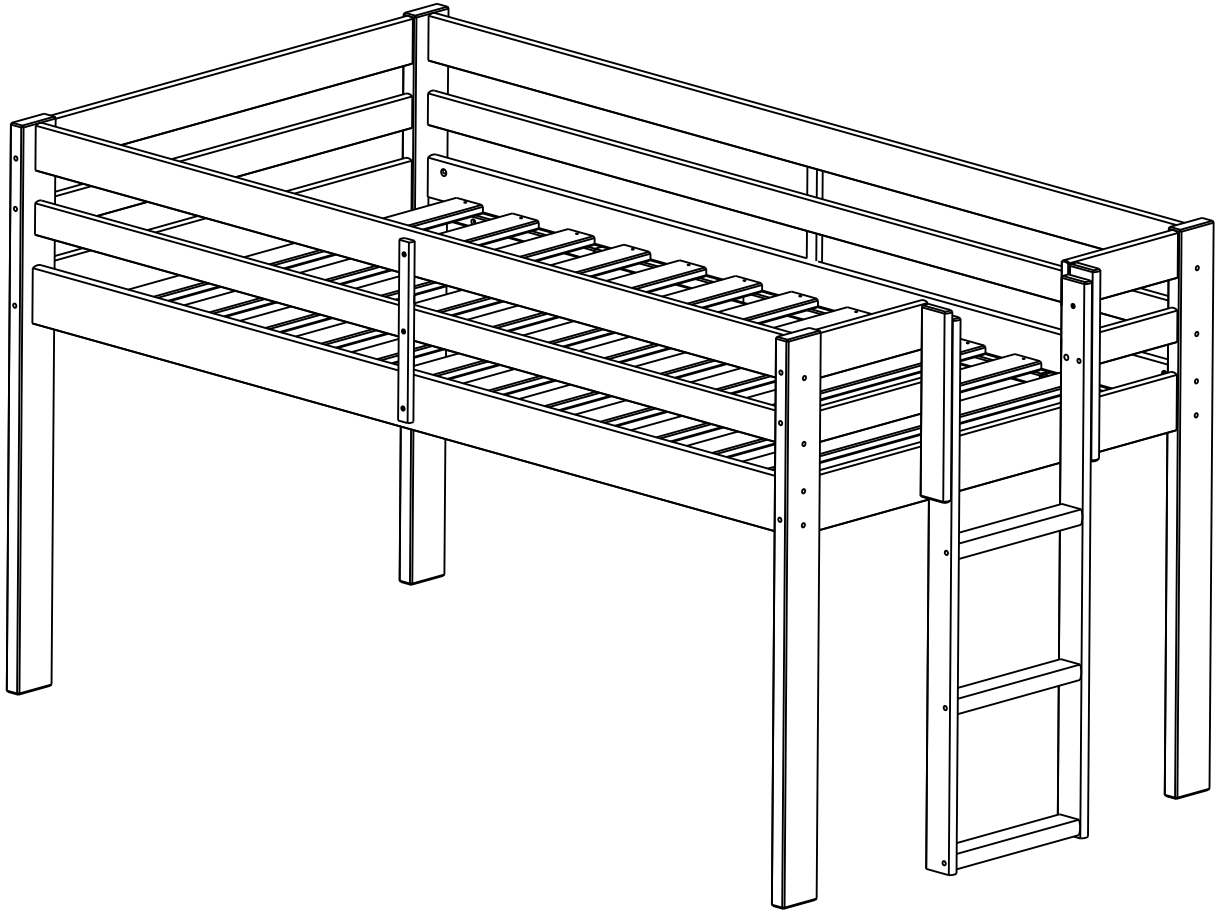
=

**TWIN / KING BUNK BED**



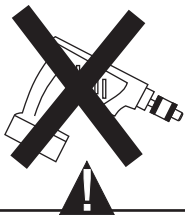
# ASSEMBLY INSTRUCTIONS

## JASPER JR LOFT BED

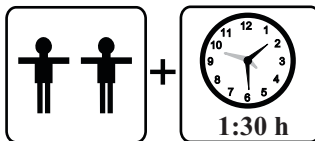


### REPLACEMENT PARTS

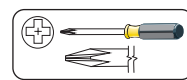
Please do not contact the company purchased from as we can help you faster.  
Order replacement parts and hardware at "[boltonfurniture.com](http://boltonfurniture.com)"



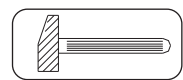
\* Use of power tool to assemble this product will invalidate any claim and damage this product making it unsafe!!!  
\* Please assemble on a clean soft surface to avoid damage.



### Tools Required

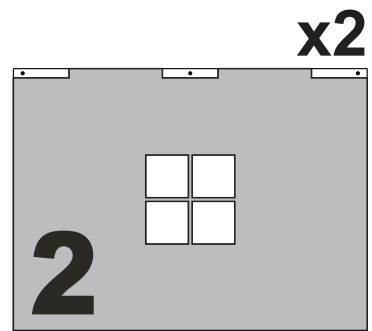
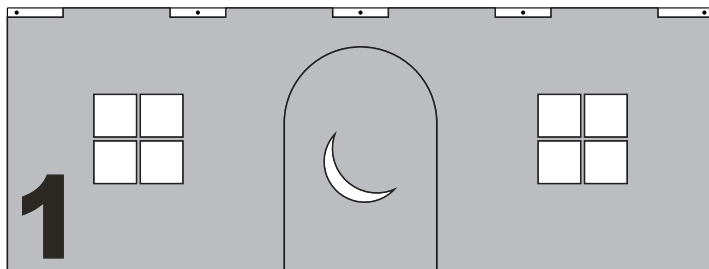
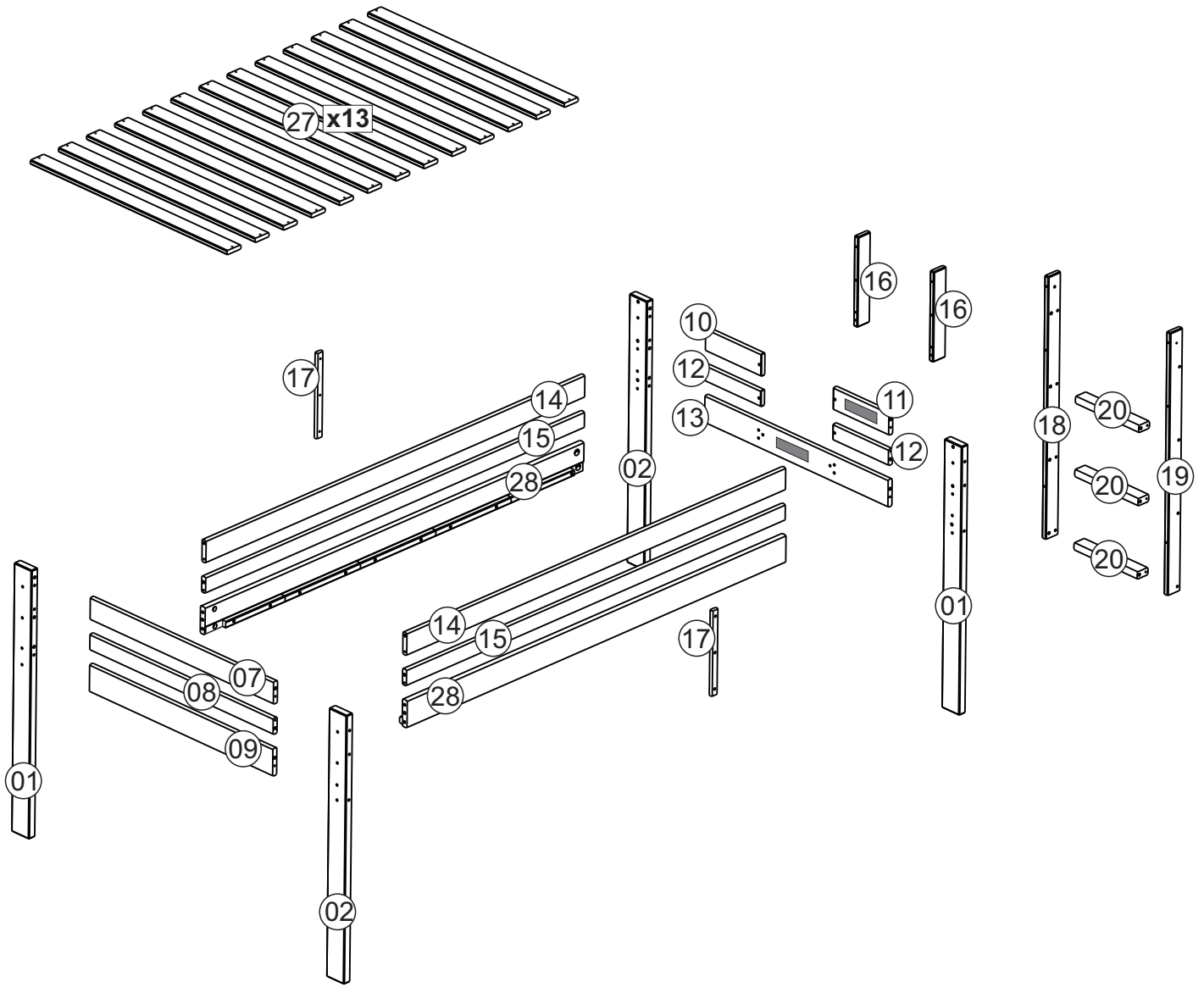


(Not included)

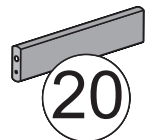


(Not included)

# Part List - Jasper Jr Loft Bed




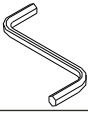

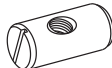

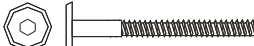

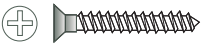





x2



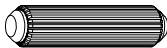
Additional part 20 is included for assembling the Jasper Bunk Bed option

# Identifying the Hardware-Identify the hardware using the illustrations below.

C  26 4,0 x 35	E  32 10X50	G  08 7 x 70 x 17mm
H  01	J  02 SPACER - 2 3/4" 71mm	K  08 1/4
Q  12 7 x 120 x 17mm	R  20 7 x 60 x 17mm	T  04 15X100
U  08 4,0 x 30	V  02	X  08 1/4 x 80 x 17mm
Z  11 3,5 x 16		

# 01

E



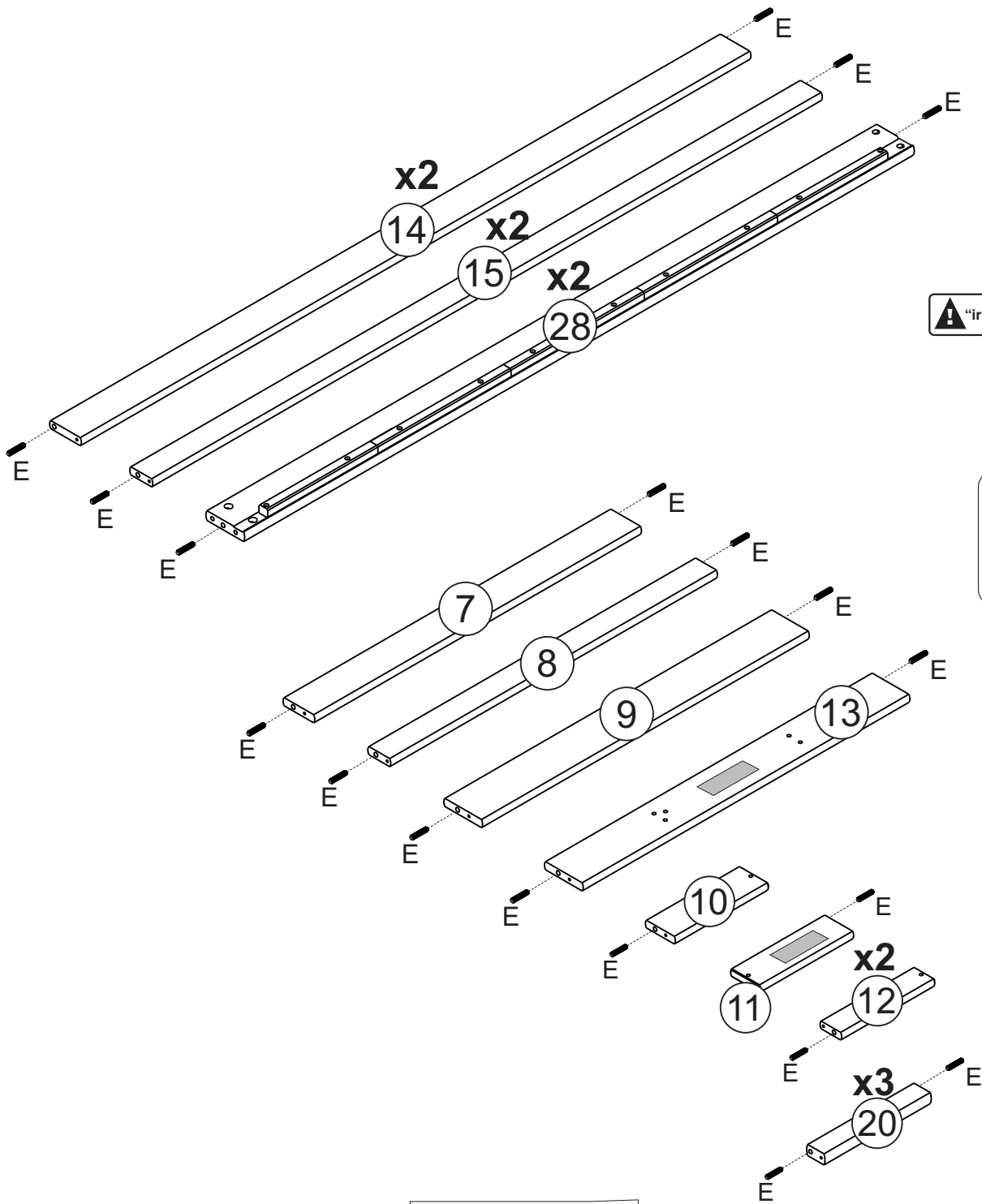
10X50

30

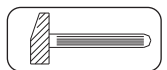
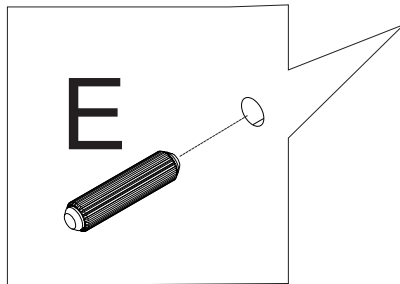
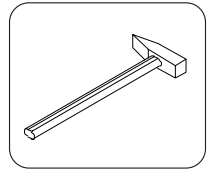
V



02



"irreversible operation"



(Not included)

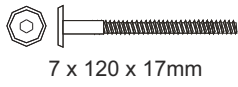
# 02

H



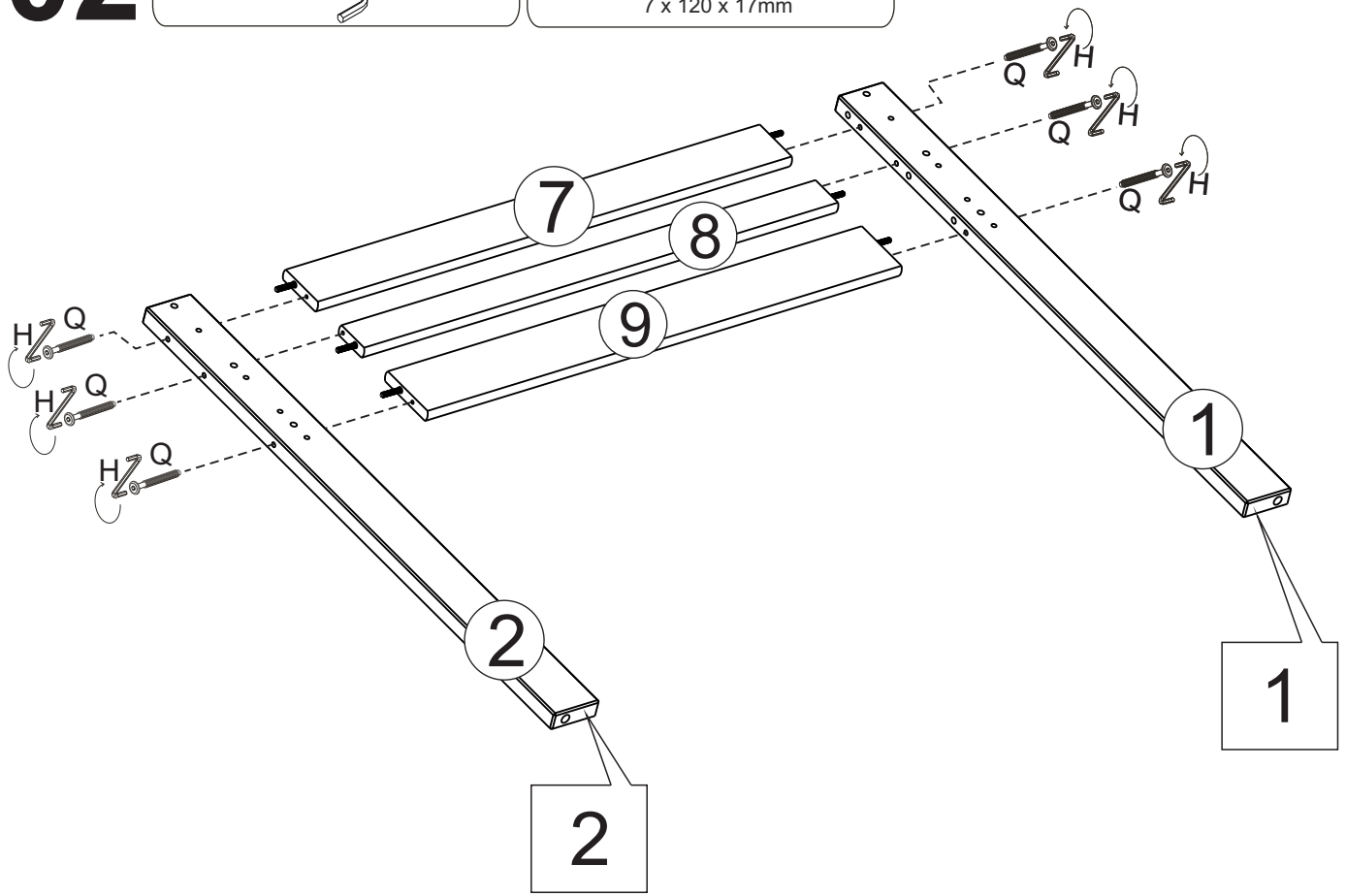
01

Q



06

7 x 120 x 17mm



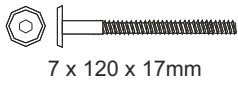
# 03

H



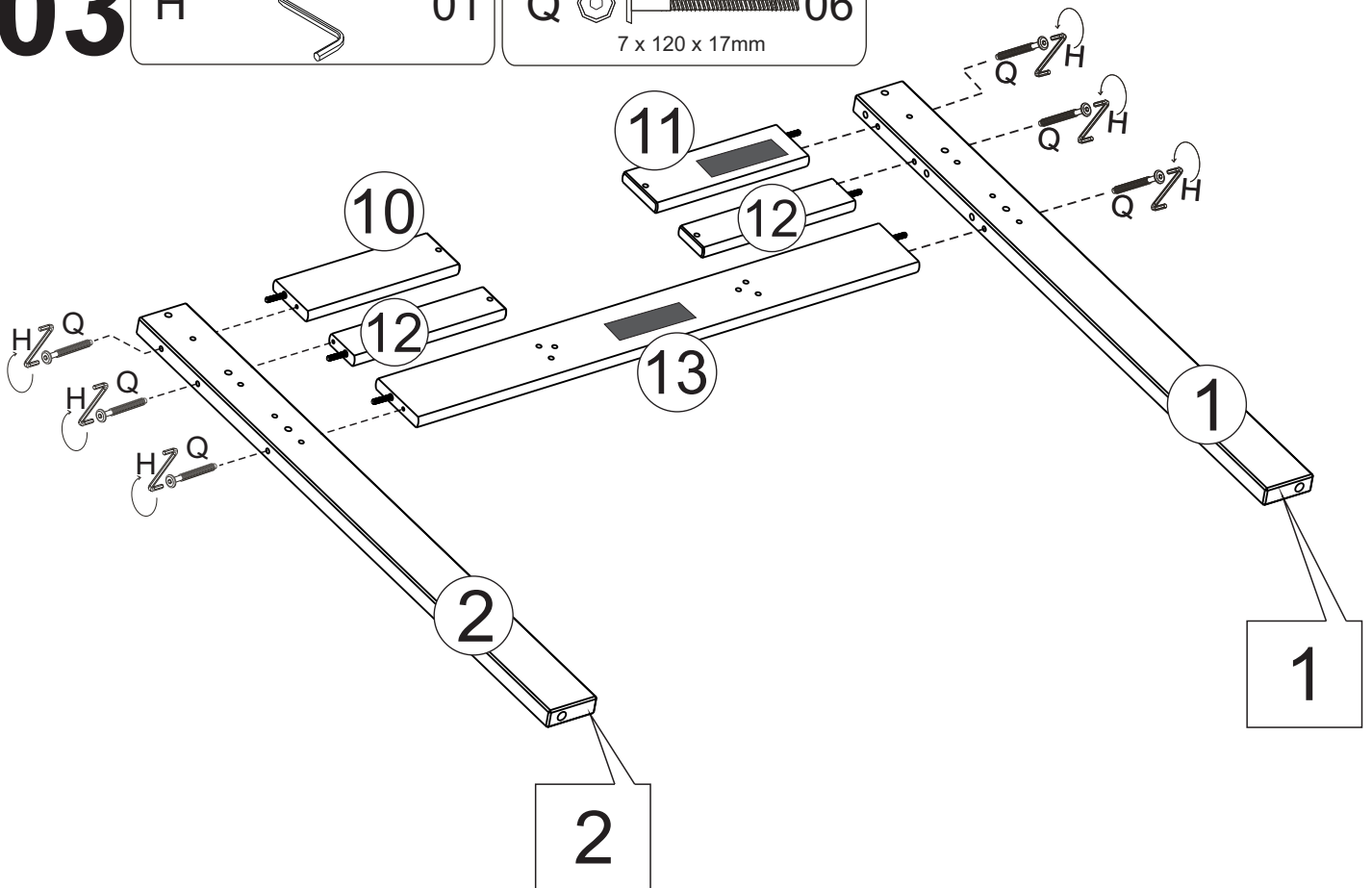
01

Q

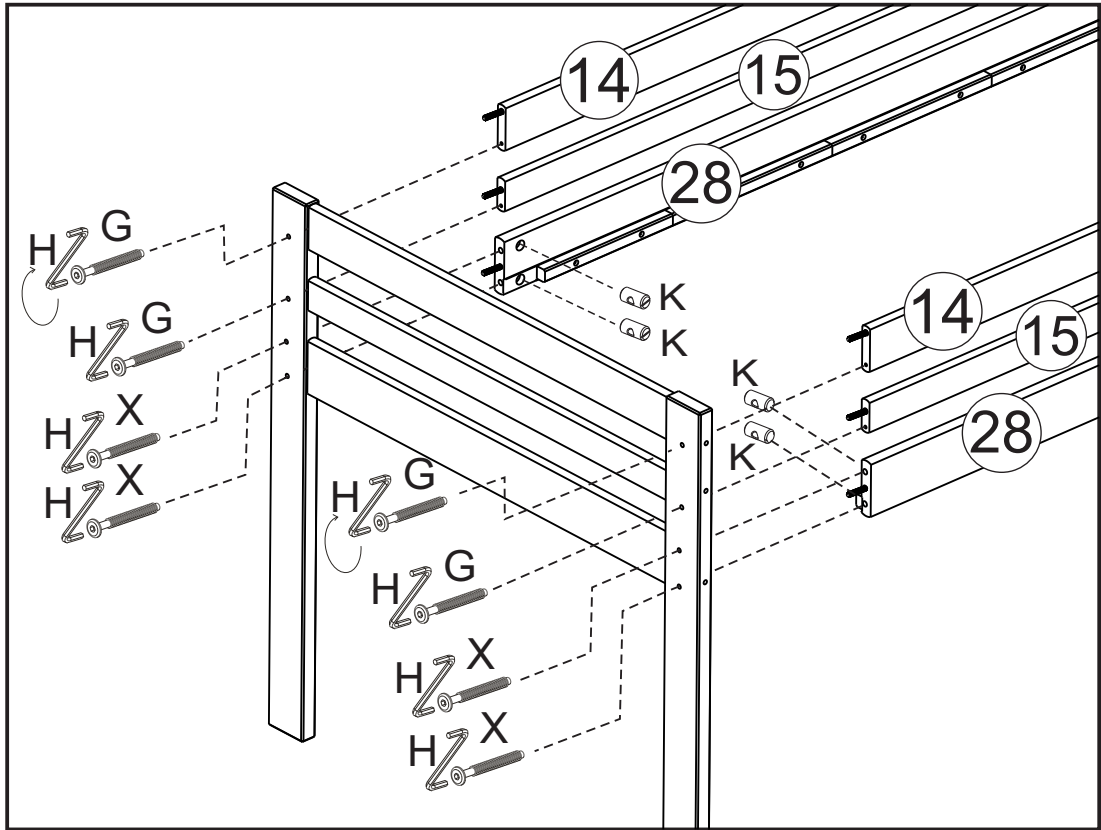
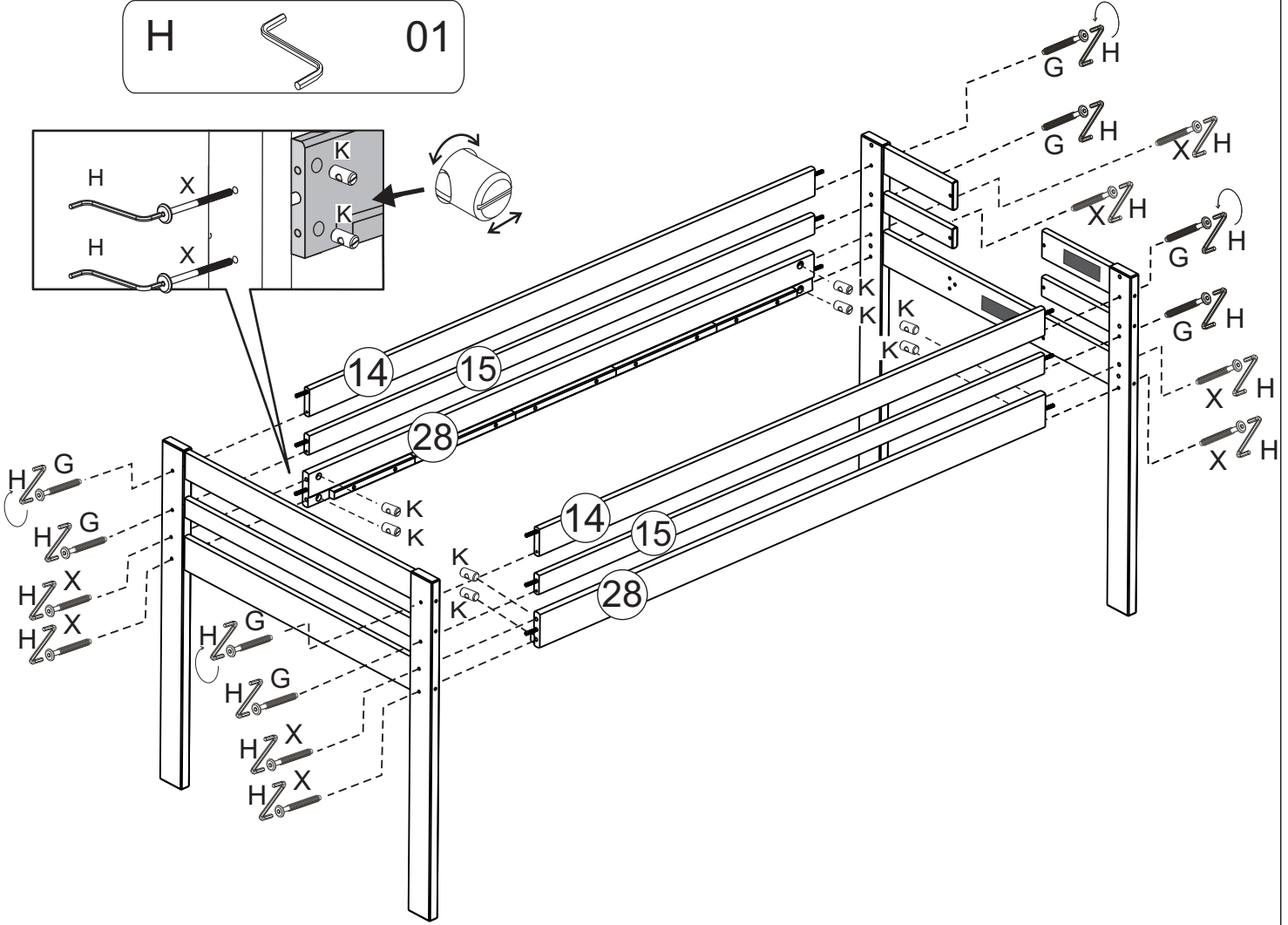
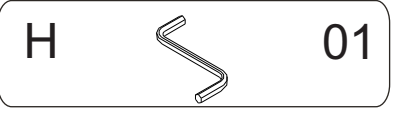
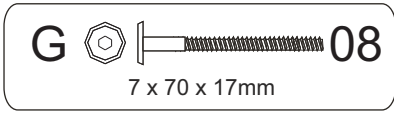
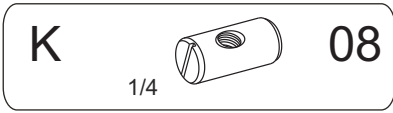
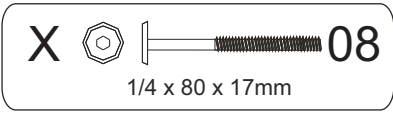


06

7 x 120 x 17mm



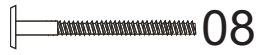
# 04





# 05

R



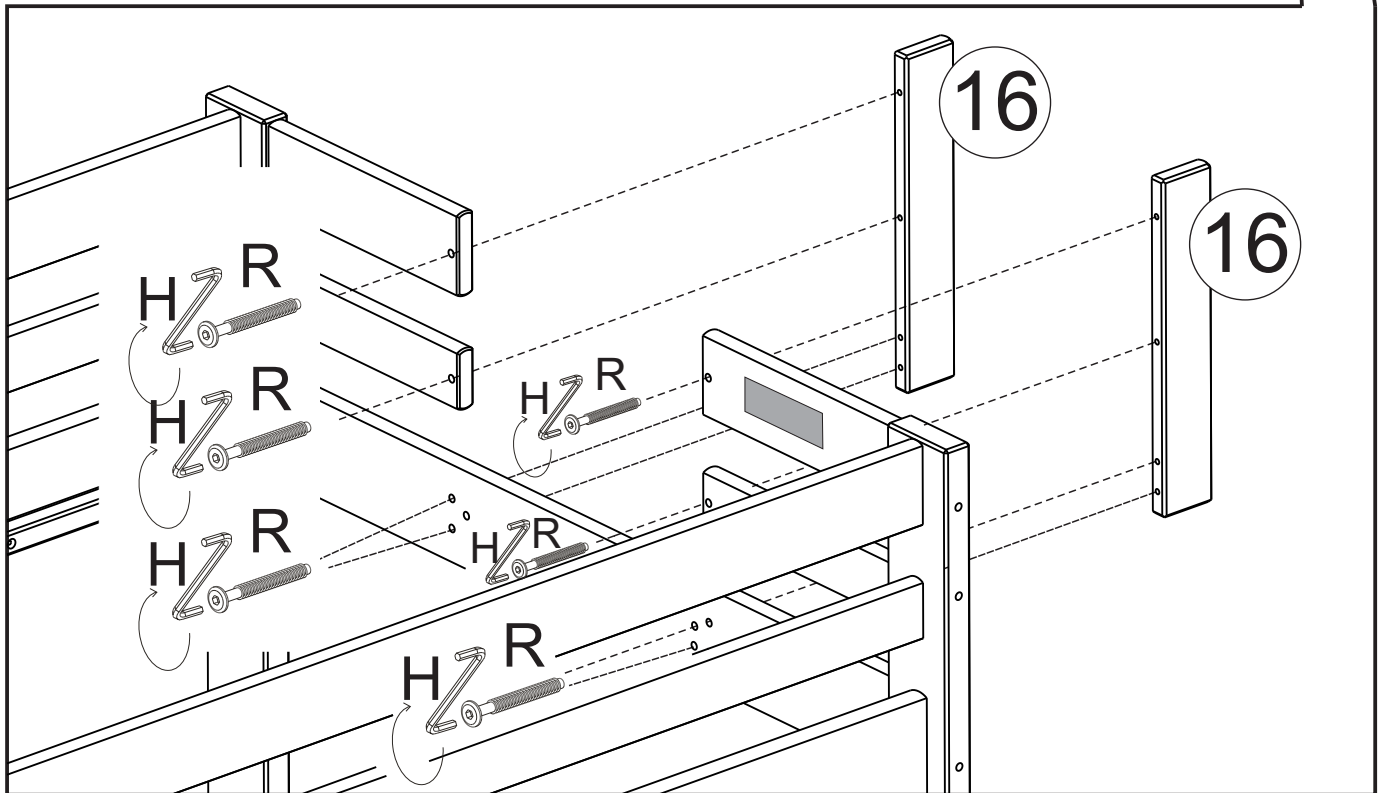
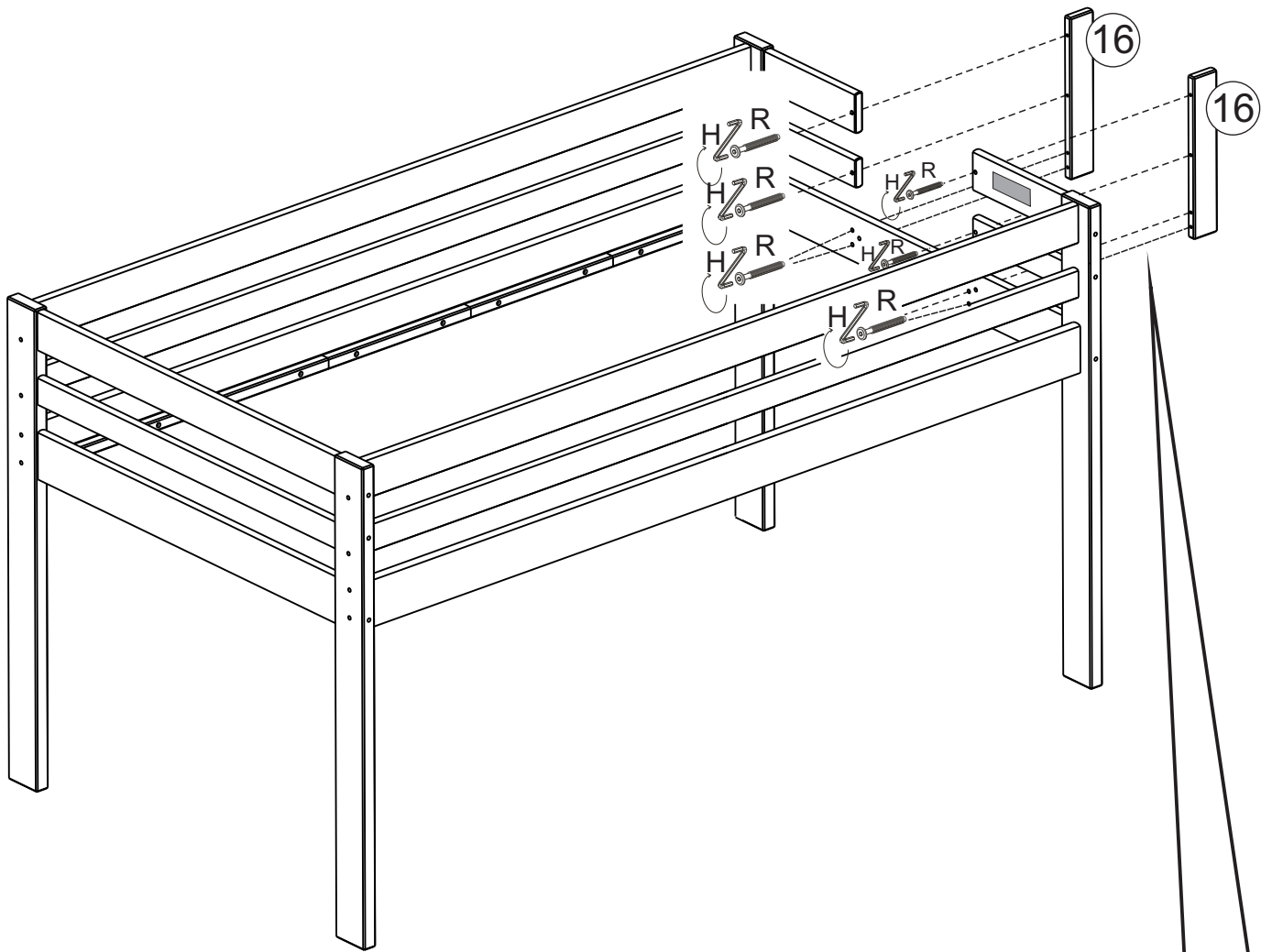
08

7 x 60 x 17mm

H

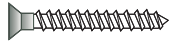


01



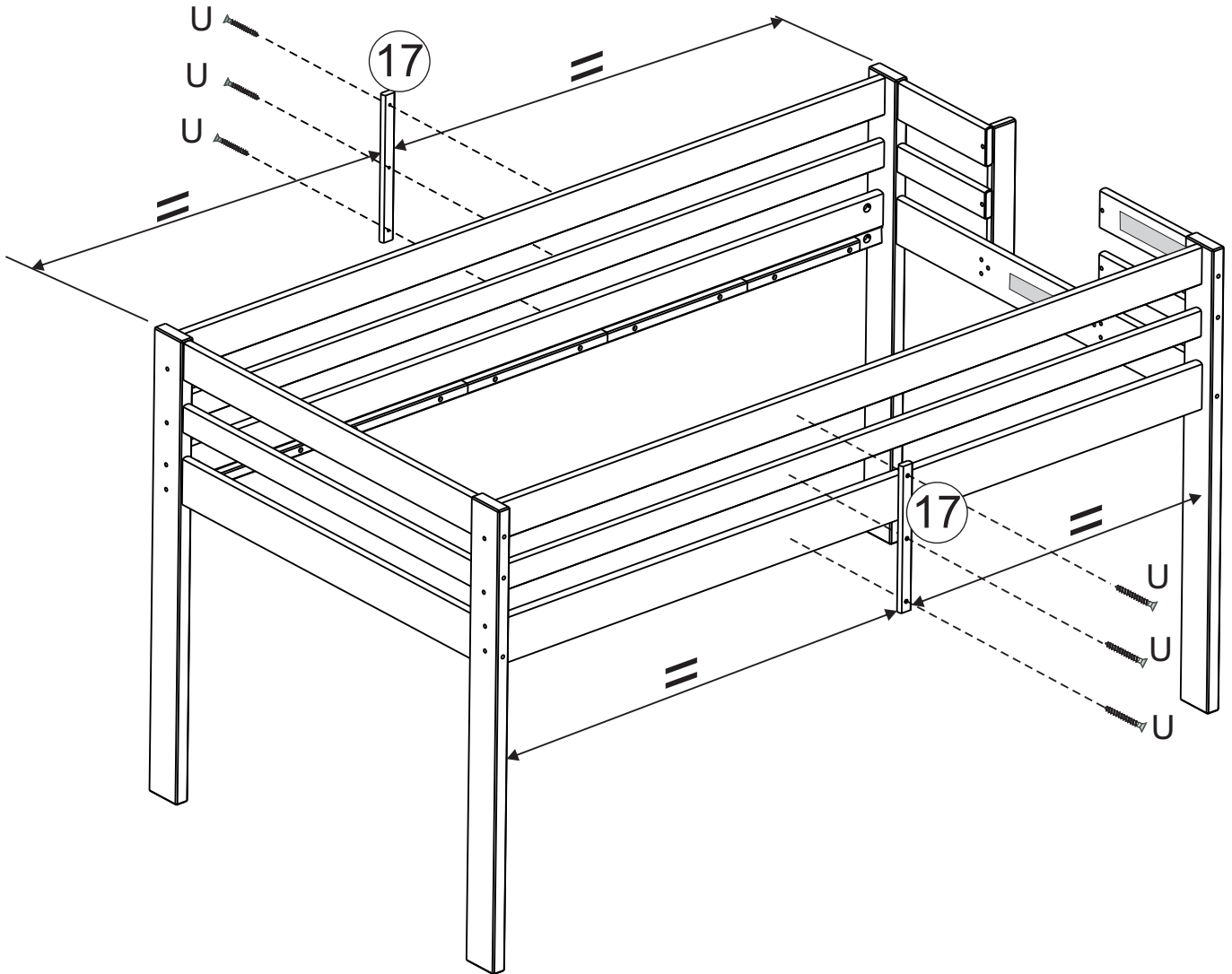
# 06

U

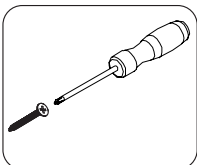


06

4,0 x 30



**TO INSTALL THE  
OPTIONAL TENT  
GO TO THE PAGE 14 OF 15  
AND THE PAGE 15 OF 15**



# 07

C



4,0 x 35

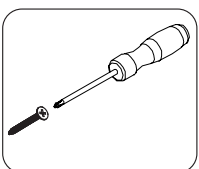
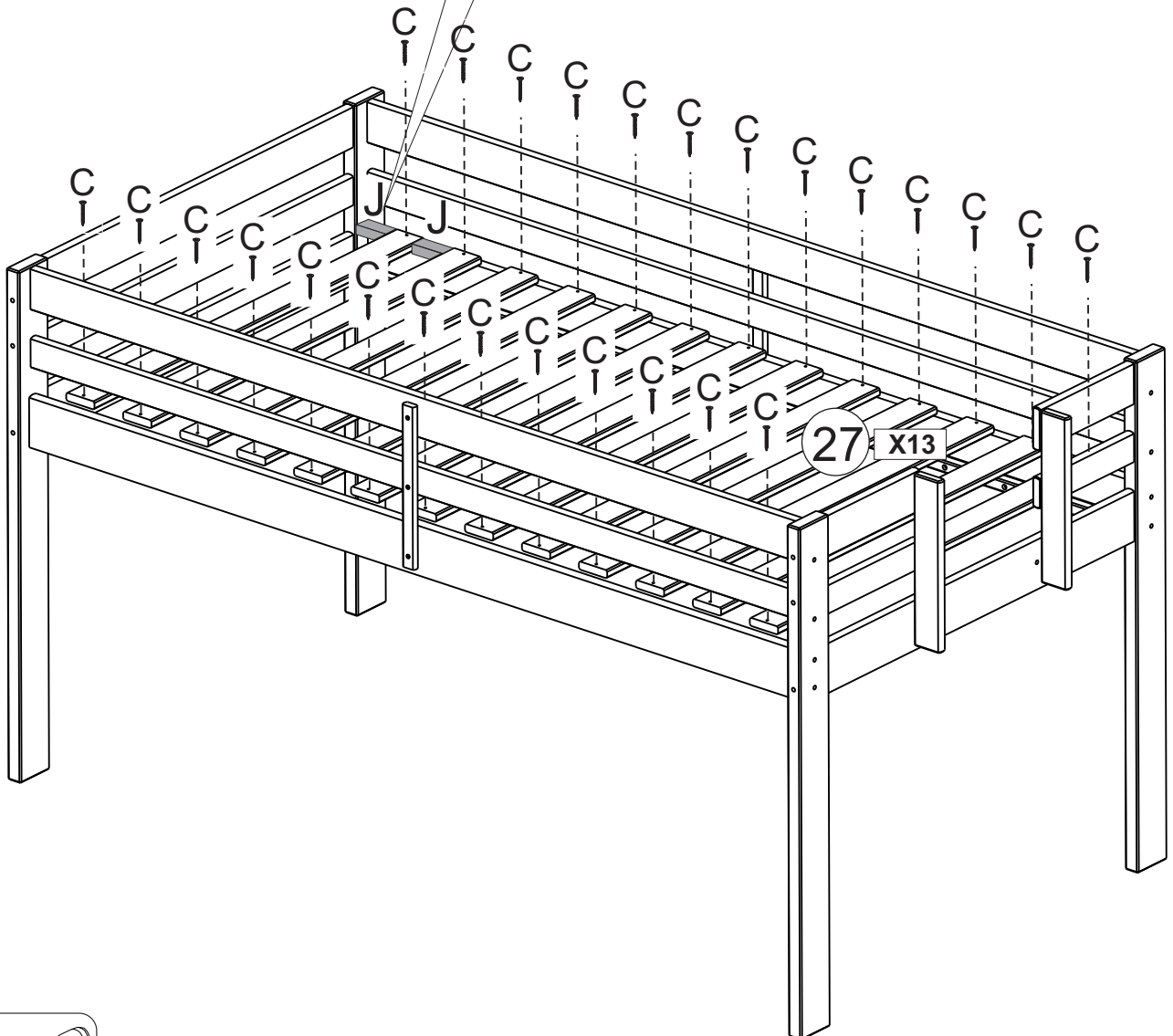
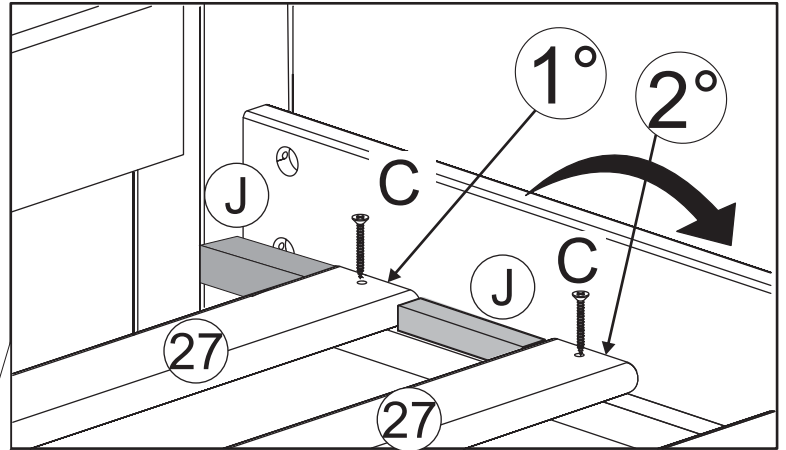
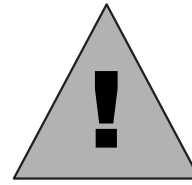
26

J

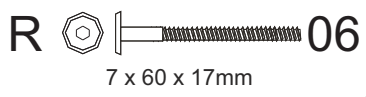


Spacer 2 3/4"  
71mm

02



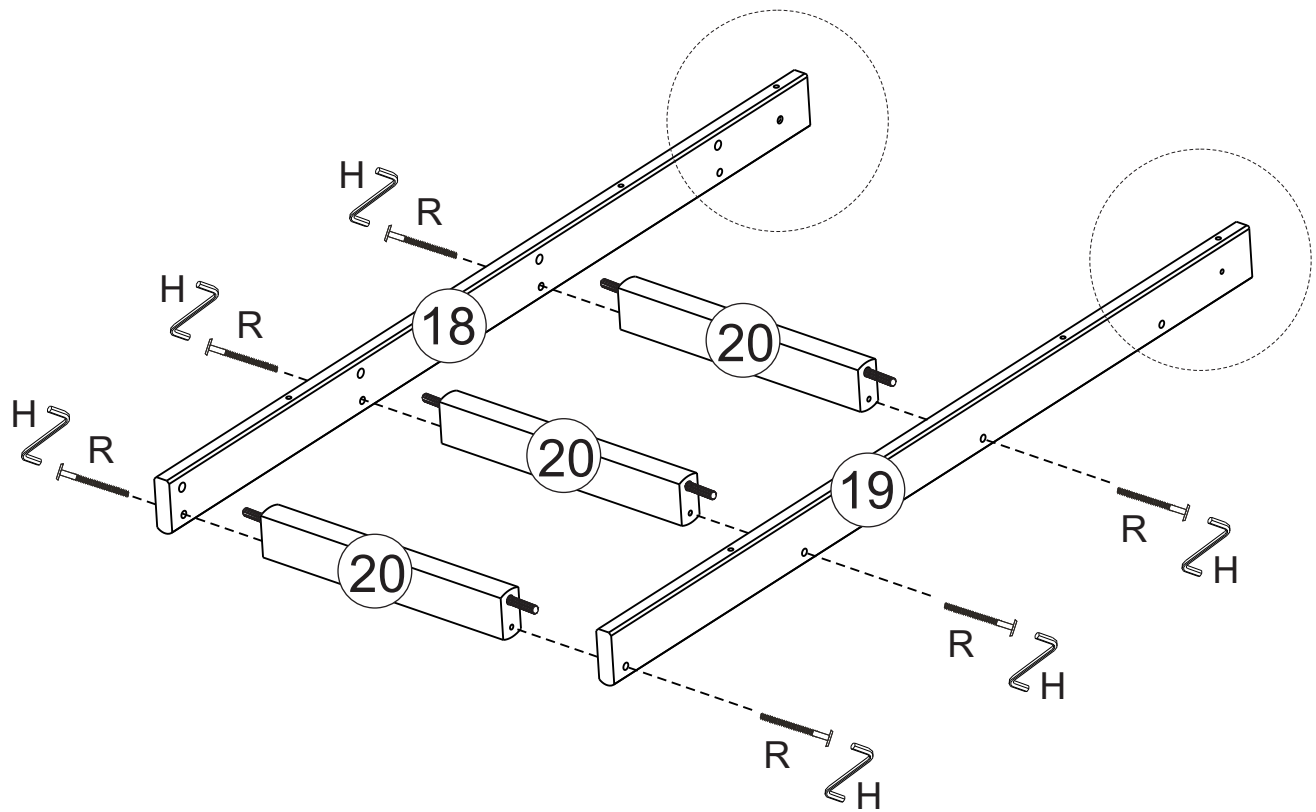
# 08




H

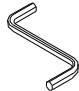



01

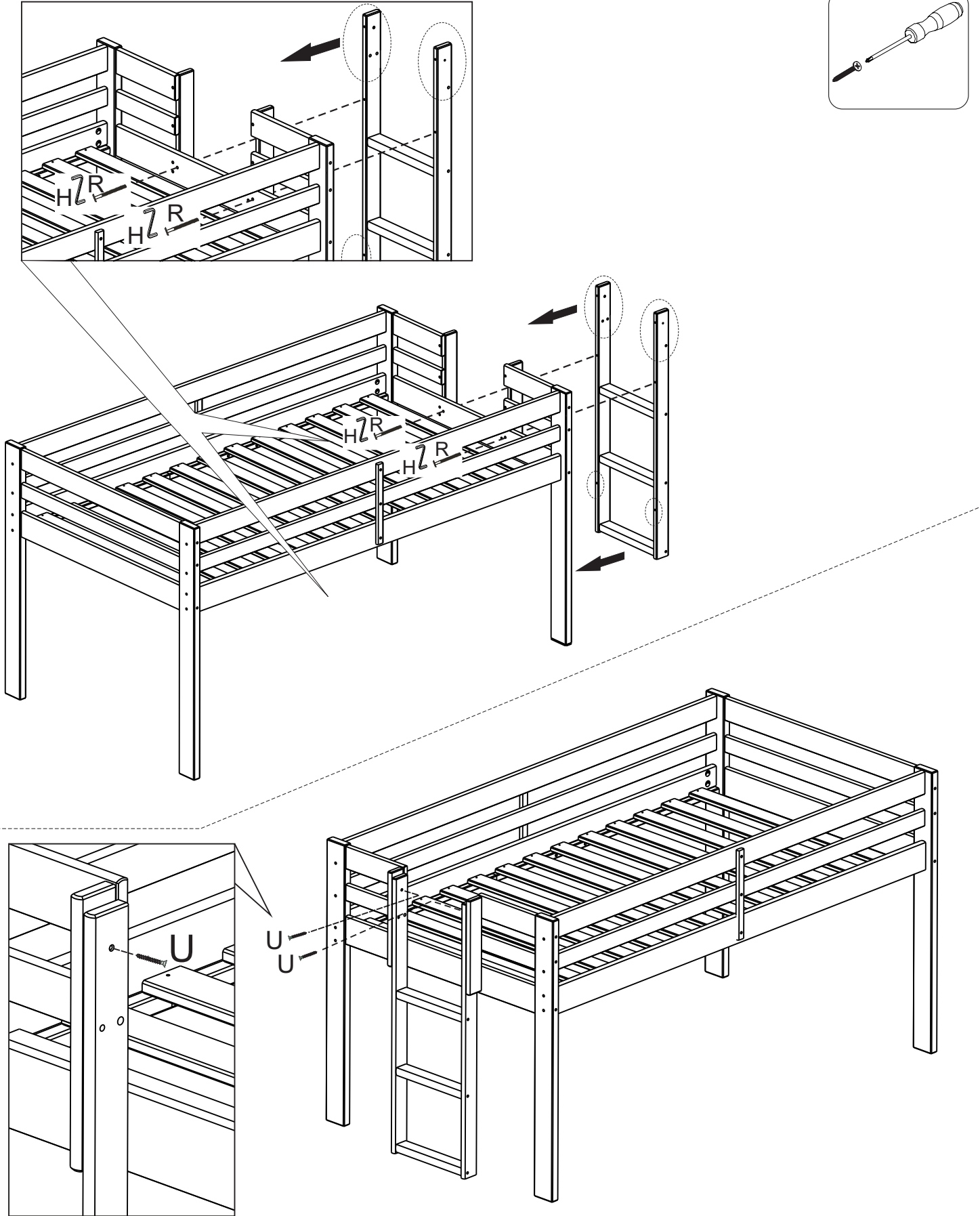
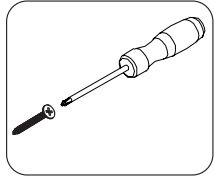


# 09

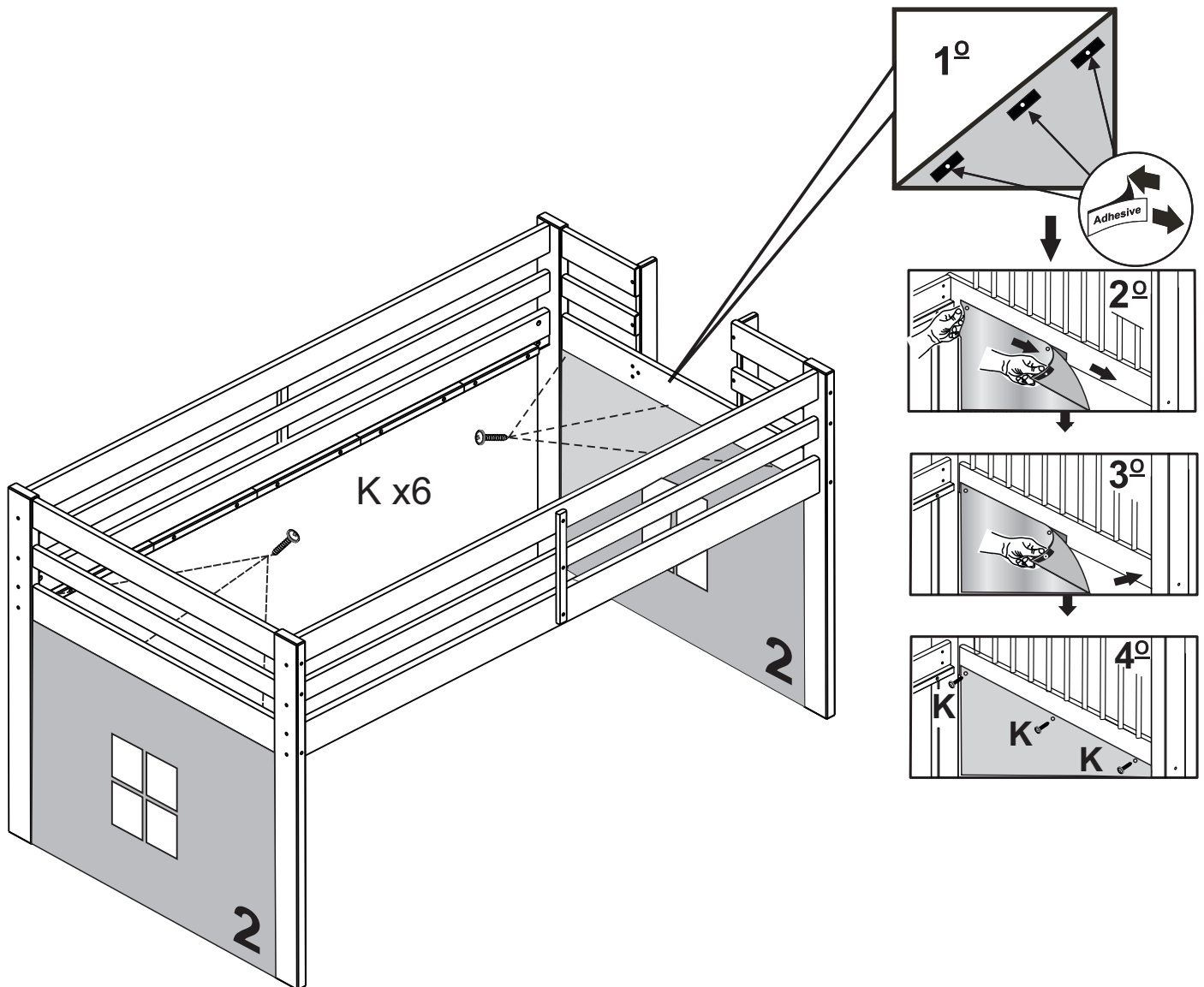
R  02  
7 x 60 x 17mm

H  01

U  02  
4,0 x 30



# INSTALLING THE OPTIONAL TENT - PART 01



## ATTENTION

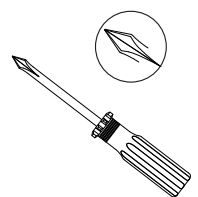
Please remove the fine paper glued (Adhesived) on the velcro applied on the **Tent**. After this step, hold tight the **Tent** on both ends to fix on the crossbars on instructions.

K

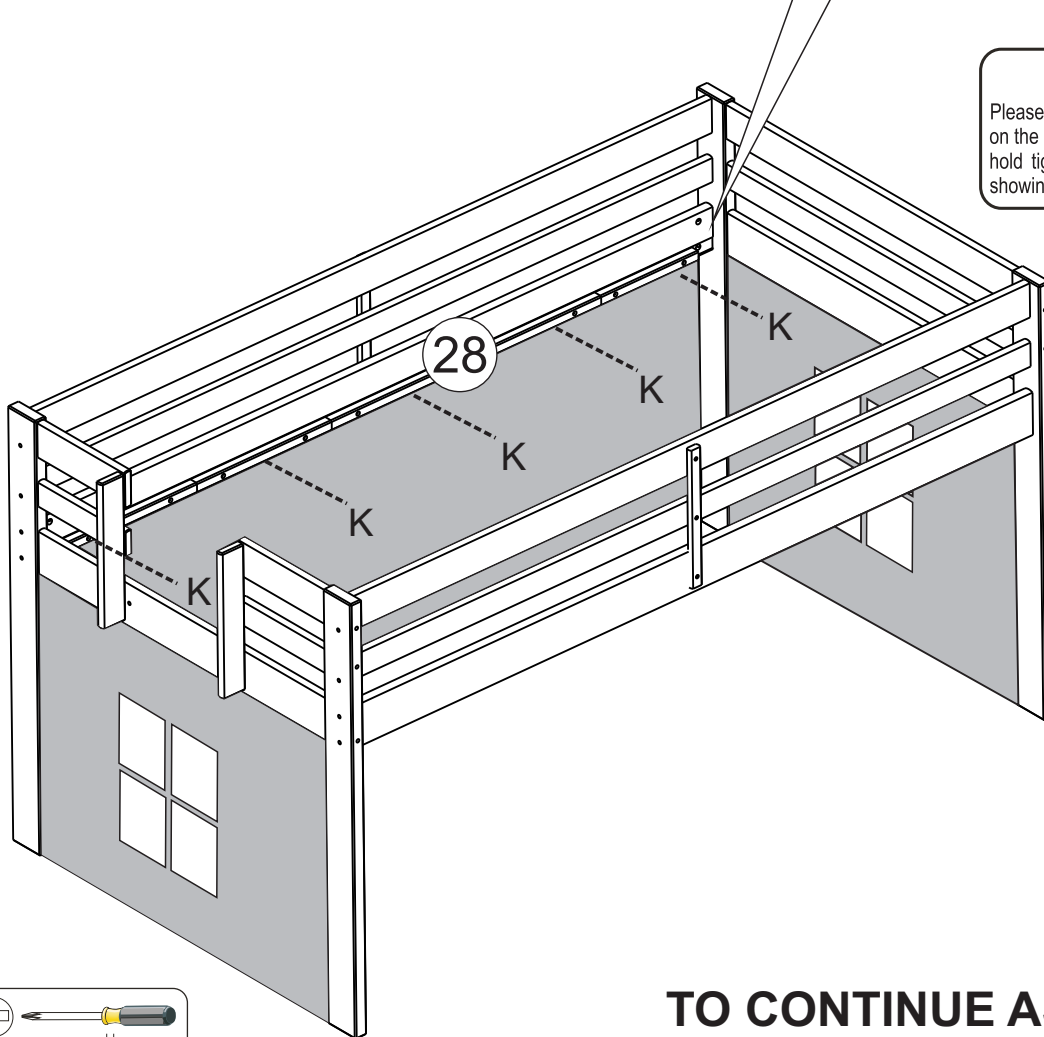
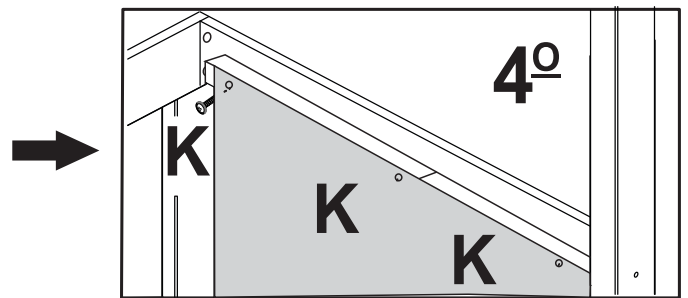
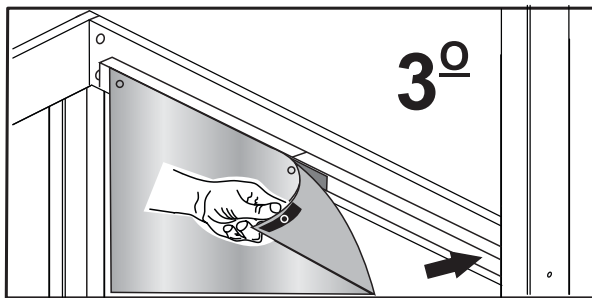
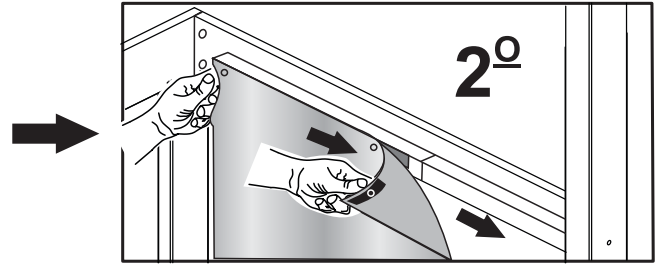
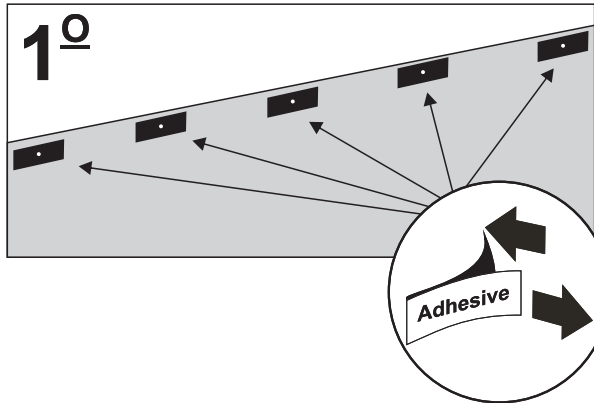


3,5 x 16

06

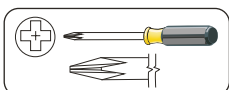


# INSTALLING THE OPTIONAL TENT - PART 02



**ATTENTION**

Please remove the fine paper glued (Adhesived) on the velcro applied on the **Tent**. After this step, hold tight the **Tent** on front side rail like showing on instructions.



K



05

**TO CONTINUE ASSEMBLY  
RETURN TO PAGE 11**